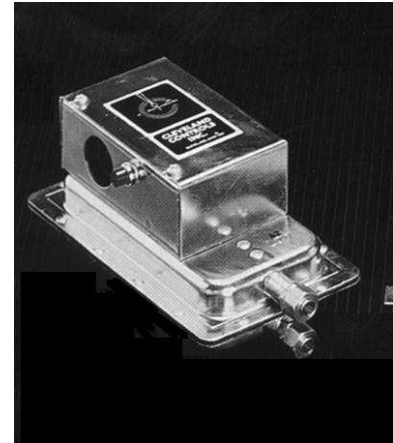


*Differential Pressure Switches*



**ACI/AFS Series**



**Product Description**

The ACI/AFS Series Differential Pressure Switches are general purpose proving switches designed for both HVAC and Energy Management Applications. These pressure switches can be used to sense either positive, negative, or differential air pressure.

The ACI/AFS-222 has a field adjustable input operating range of 0.07" to 12.0" w.c. A setpoint range of 0.05" +/- 0.02" to 12" w.c. with a field adjustable release range of 0.04" to 11.2" w.c.. Each unit contains a diagram, calibration spring, and a snap-acting SPDT switch. The sample connections are located on each side of the diagram and accept a 0.25" O.D. metallic tubing via the integral compression ferrule and nut. The enclosure cover guards against accidental contact with the live switch terminal screws and the setpoint adjusting screw. The AFS-222 also contains a 1/2" conduit connection in the cover of the enclosure.

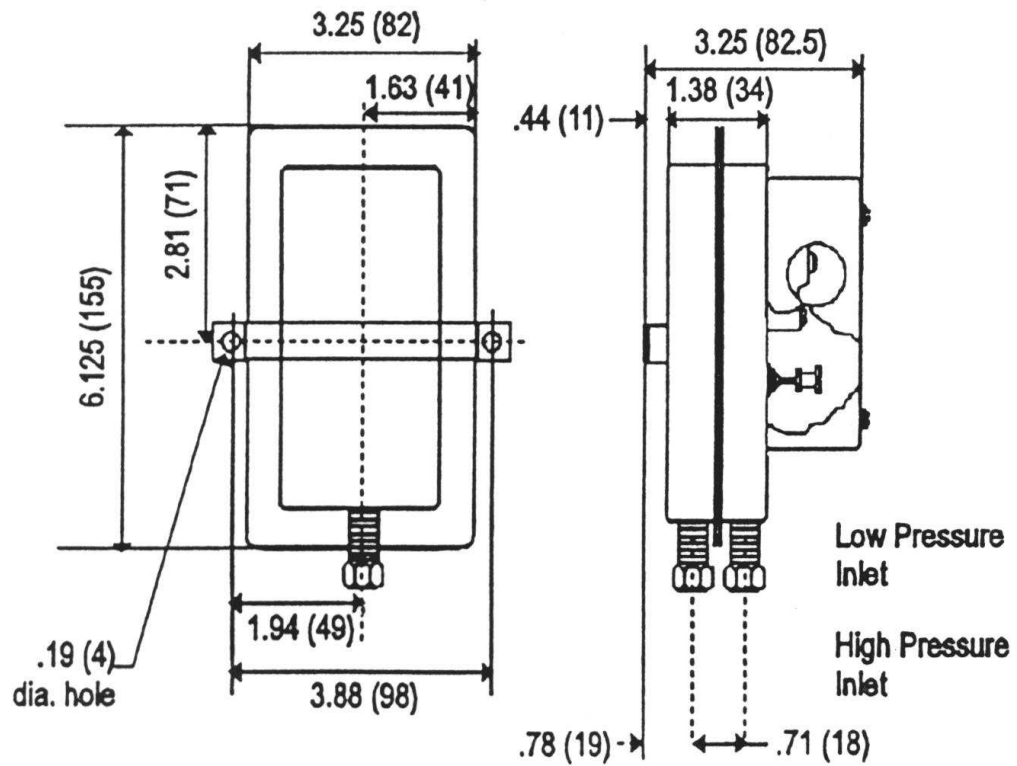
The ACI/AFS-262 has a field adjustable operating range of 0.07" to 2.0" w.c. A setpoint range of 0.05" +/- 0.02" to 2" w.c. with a field adjustable "release range" of 0.04" to 1.9" w.c.. Each unit contains a diagram, calibration spring, and a snap-acting SPDT switch. The sample connections are located on each side of the diagram and accept a 0.25" O.D. metallic tubing via the integral compression ferrule and nut. The enclosure cover guards against accidental contact with the live switch terminal screws and the setpoint adjusting screw. The AFS-222 also contains a 1/2" conduit connection in the cover of the enclosure.

Contact ACI for more information regarding the ACI/AFS Series differential pressure switches.

**Product Specifications**

<b>Input Range</b>	AFS-222 0.05" to 12" w.c. AFS-262 0.05 to 2" w.c.	<b>Measured Media</b>	Air, or combustion by-products that will not degrade silicon
<b>Maximum Pressure</b>	0.5 psi	<b>Operating Temp Range</b>	-40 to 180°F
<b>Output</b>	1 Set SPDT Dry Contacts	<b>Mounting Direction</b>	Any Vertical Plane

## Wiring



Dimensions in Inches  
(Millimeters)

## Ordering Information

ACI/AFS [ ]  
|  
222  
262

Example: ACI/AFS-222 or ACI/AFS-262